



JetWeigh™

JACKPOINT SYSTEM

FEATURES

Capacity range covering 15,000 to 600,000 pounds

Simultaneous readings of weight channels, plus total weight

Library of up to 200 aircraft types and characteristics

Pound or kilogram readout selectable by operator

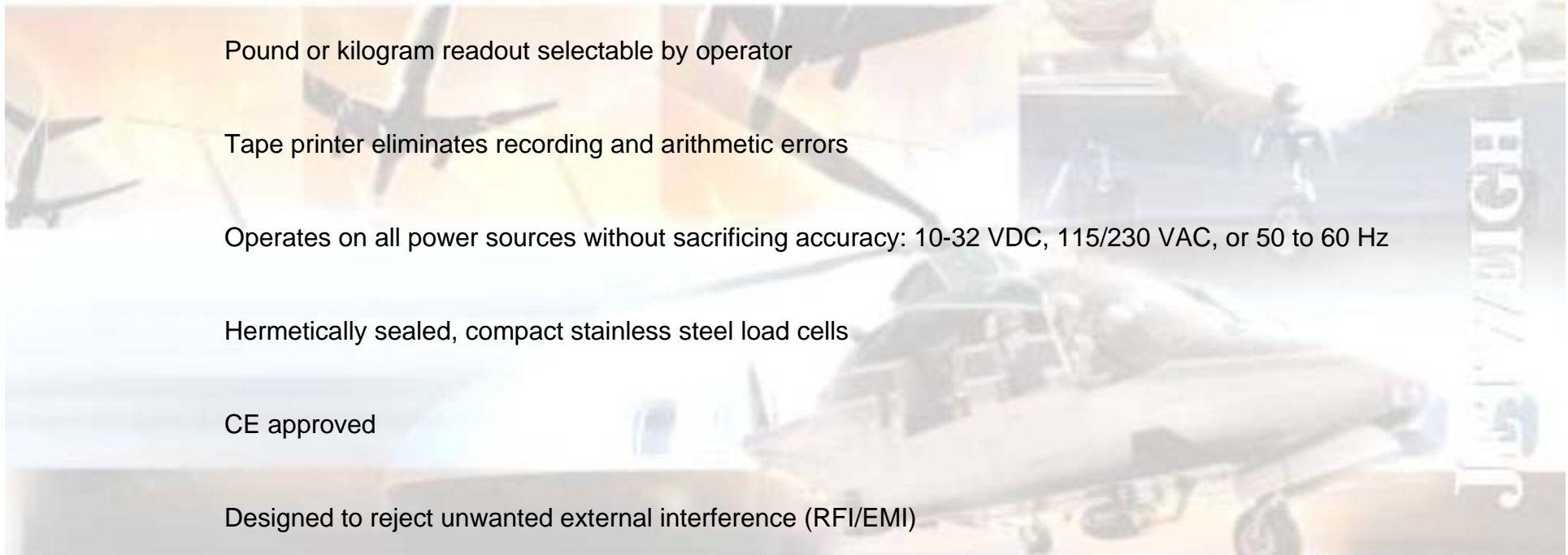
Tape printer eliminates recording and arithmetic errors

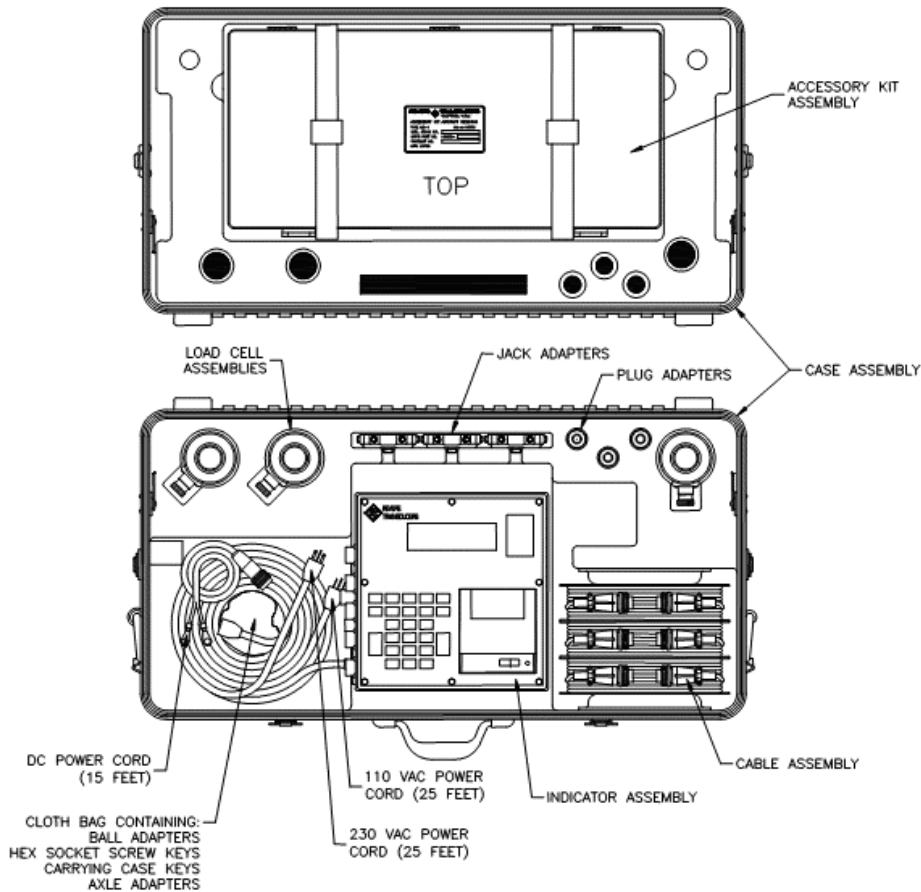
Operates on all power sources without sacrificing accuracy: 10-32 VDC, 115/230 VAC, or 50 to 60 Hz

Hermetically sealed, compact stainless steel load cells

CE approved

Designed to reject unwanted external interference (RFI/EMI)





APPLICATIONS

Routine weight and center-of-gravity monitoring

Weight checks after airframe repairs and modifications

Design proving weight and center-of-gravity determinations



Just 7.7 DGH
ROAD PUMPER

SI TECHNOLOGIES®

Revere
Transducers

EW
EYE GREEN WOOD



Each JetWeigh™ Aircraft Weighing System includes:

3 to 5 stainless steel, hermetically sealed load cells

Interconnecting cables and power cords

Digital weight computer

Center-of-gravity accessory kit

Rugged fiberglass carrying case(s)

On-board center-of-gravity computation

On-board library of aircraft types and characteristics

Integrated flash memory technology for storing weighments

ROAD TO SUMMIT
JETWEIGH

The Center-of-Gravity Accessory Kit is included with every JetWeigh™ Aircraft Weighing System. The contents of this kit make aircraft weighing and center-of-gravity determination simpler and more convenient. Included in this kit are the following items:

Level

Plumb bobs

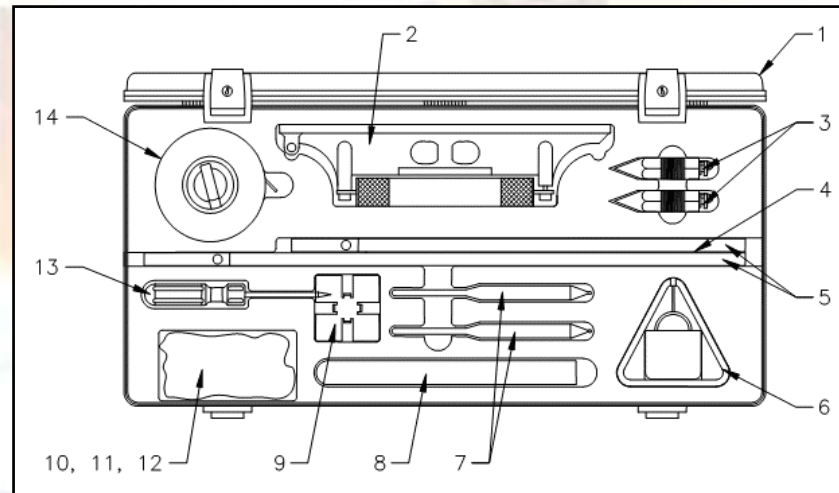
Chalk and line

Hydrometers

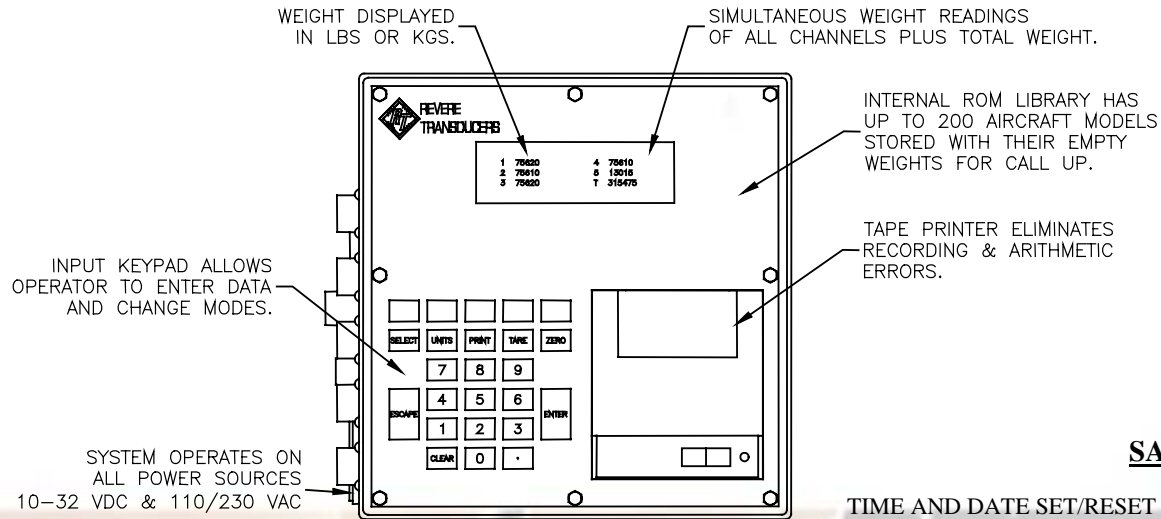
Fuel dipper

Hydrometer jars and stand

Leveling bar



JetWeigh™ Aircraft Weighing System



SAMPLE PRINTOUT

TIME AND DATE SET/RESET FROM KEYBOARD. CLOCK & RAM POWERED BY INTERNAL 10 YEAR LITHIUM BATTERY

LB/KG SELECTED BY KEYBOARD. AUTOMATIC DEFAULT TO LBS.

LATITUDE SELECTION FROM 0° TO 90° BY KEYBOARD. AUTOMATIC DEFAULT TO 45° VALUE.

STABILITY CRITERIA.

AIRCRAFT ID SELECTED BY KEYBOARD FROM MEMORY LIBRARY.

AIRCRAFT ID NO. ENTERED FROM KEYBOARD.

WEIGHT DATA - UP TO 5 CHANNELS DEPENDING ON KIT MODEL.

LOCATION FOR ERROR MESSAGES.

- OPERATOR FORCED PRINTOUT.
- UNSTABLE WEIGHMENT.
- POOR ZERO RETURN.
- PRINTOUT ABORTED.
- SYSTEM DIAGNOSTIC FAILURE.

```

Ready

REVERE
AIRCRAFT WEIGHING KIT
DATE 03/23/93
TIME 10:21
KIT SN 88-0002-C

LAST CALIBRATED 08/91

WEIGHMENT

WEIGHMENT UNITS: LBS
LATITUDE: 45 DEGREES
Weight Mode 1
ACFT ID: BOENG0747
ACFT SN: 12345

CHANNEL NO.  WEIGHT
1 LEFT      75610
3 LEFT      75620
2 RIGHT     75620
4 RIGHT     75620
5 NOSE      13015

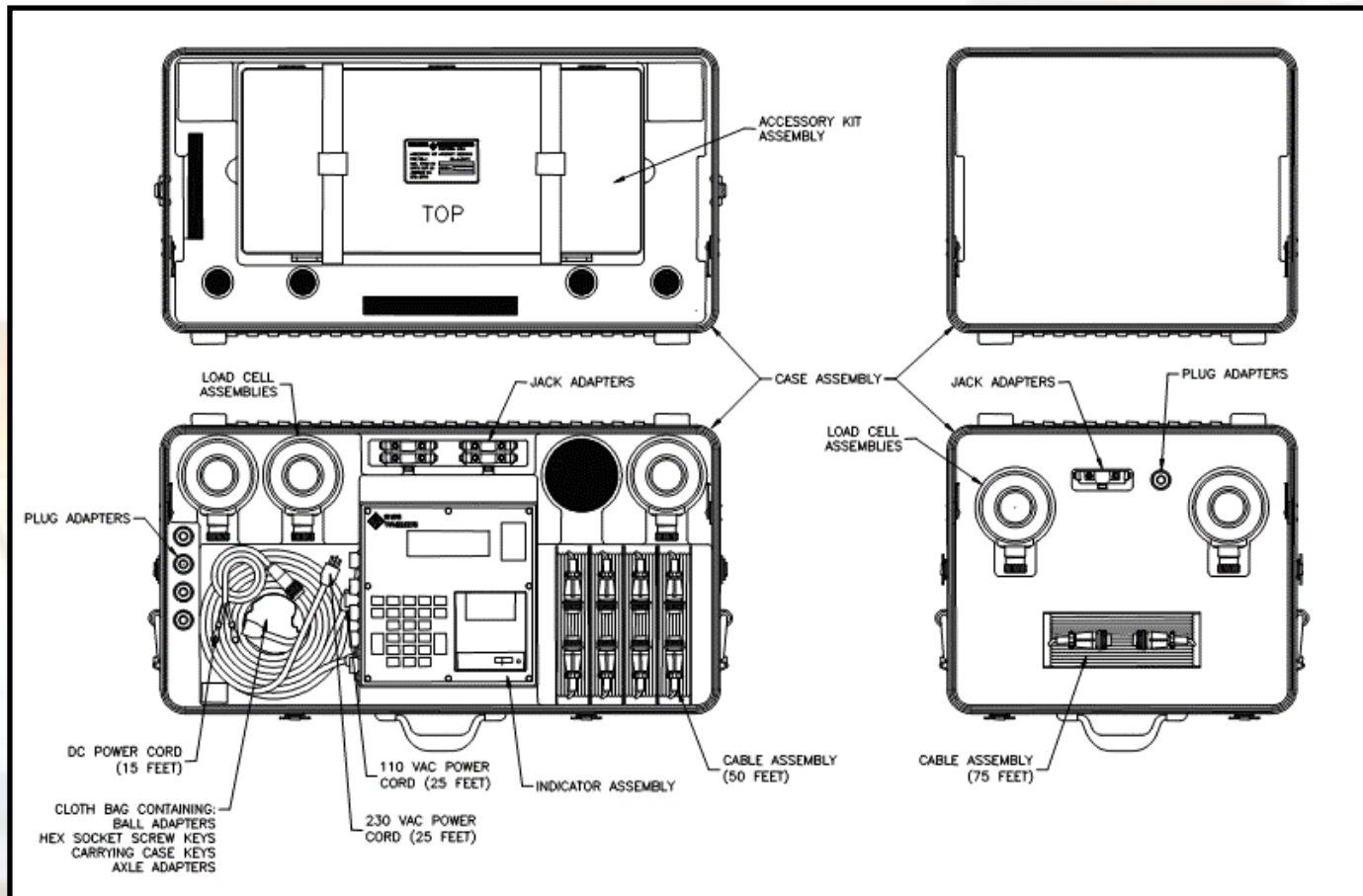
TOTAL LEFT   151280
TOTAL RIGHT  151270
NOSE         13015

TOTAL WEIGHT  315515

ZERO RETURN EXCESSIVE
CHIS 1 3

WEIGHMENT UNSTABLE
PRINTOUT FORCED BY
OPERATOR
    
```

JetWeigh™ 5 Load Cell Configuration



JetWeigh™ 5 Load Cell Configuration

Individual System Description

Model	JW-15	JW-20	JW-30	JW-40	JW-75
No. of Cells	3	4	3	4	3
Cell Capacity (lb)	5,000	5,000	10,000	10,000	25,000
Kit Capacity (lb)	15,000	20,000	30,000	40,000	75,000
Part Number	64001-00	64001-01	64001-02	64001-03	64001-04
Resolution (lb)	0.5	0.5	1	1	2
Kit Weight (lbs.)	72	78	72	78	72
Kit Dimensions (in.)	32.88 x 17.50 x 8.75				

Model	JW-100	JW-150	JW-200	JW-300	JW-400
No. of Cells	4	3	4	3	4
Cell Capacity (lb)	25,000	50,000	50,000	100,000	100,000
Kit Capacity (lb)	100,000	150,000	200,000	3200,000	400,000
Part Number	64001-05	64001-06	64001-07	64001-08	64001-09
Resolution (lb)	2	5	5	10	10
Kit Weight (lbs.)	78	72	78	96	110
Kit Dimensions (in.)	32.88 x 17.50 x 8.75				

Model	JW-425	JW-450	JW-500	JW-600
No. of Cells	5	5	5	3
Cell Capacity, Mains (lb)	100,000	100,000	100,000	200,000
Cell Capacity, Nose (lb)	25,000	50,000	100,000	200,000
Kit Capacity (lb)	425,000	450,000	500,000	600,000
Part Number	64001-12	64001-13	64001-14	64001-15
Resolution, Mains (lb)	10	10	10	20
Resolution, Nose (lb)	2	5	10	20

JUST HIGH ROAD NUMBER